

10Gb/s SFP+ CWDM 40km with CDR Optical Transceiver Module

SFP-10G-ER-CWXX

Features

- Up to 11.3Gb/s data links
- CWDM EML transmitter and PIN receiver
- with CDR supported 9.95 to 11.3Gb/s reference-free
- Up to 40km on 9/125µm SMF
- Hot-pluggable SFP+ footprint
- Duplex LC/UPC type pluggable optical interface
- Metal enclosure, for lower EMI
- RoHS compliant and lead-free
- Support Digital Diagnostic Monitoring interface
- Single +3.3V power supply
- Maximum power consumption 1.8W
- Compliant with SFF+MSA and SFF8472
- Case operating temperature

Commercial: 0 ~ +70°C

Extended: -10 ~ +80°C

Industrial: -40 ~ +85°C



Applications

- 10GBASE-ER/EW & 10G Ethernet
- SDH STM64
- Other Optical Links

Part Number Ordering Information

Part Number	Data Rate (Gb/s)	Wavelength (nm)	Transmission Distance(km)	Temperature (°C) (Operating Case)
SFP-10G-ER-CWXX	10.3125	1270-1610nm	40km SMF	0~70 commercial



Wavelength Selection: CWDM λ Wavelength Guide Pin Descriptions

Wavelength	xx	Wavelength	xx
1270 nm	27	1450 nm	45
1290 nm	29	1470 nm	47
1310 nm	31	1490 nm	49
1330 nm	33	1510 nm	51
1350 nm	35	1530 nm	53
1370 nm	37	1550 nm	55
1390 nm	39	1570 nm	57
1410 nm	41	1590 nm	59
1430 nm	43	1610 nm	61

1. Absolute Maximum Ratings

It has to be noted that the operation in excess of any individual absolute maximum ratings might cause permanent damage to this module.

Parameter	Symbol	Min	Max	Unit	Notes
Storage Temperature	T _s	-40	85	°C	
Power Supply Voltage	V _{CC}	-0.5	3.6	V	
Relative Humidity (non-condensation)	RH	5	95	%	
Damage Threshold	TH _d	5		dBm	

2. Recommended Operating Conditions and Power Supply Requirements

Parameter	Symbol	Min	Typical	Max	Unit	Notes
Operating Case Temperature	T _{OP}	0		70	°C	commercial
		-40		85	°C	Industrial
Power Supply Voltage	V _{CC}	3.135	3.3	3.465	V	
Data Rate			10.3125		Gb/s	
Control Input Voltage High		2		V _{CC}	V	
Control Input Voltage Low		0		0.8	V	

Link Distance (SMF)	D			40	km	9/125um
---------------------	---	--	--	----	----	---------

3. General Description

SFP-10G-ER-CWXX SFP+ transceiver is designed for use in 10-Gigabit Ethernet links up to 40km over single mode fiber. The module consists of CWDM EML Laser, PIN and Preamplifier in a high-integrated optical sub-assembly. Digital diagnostics functions are available via a 2-wire serial interface, as specified in SFF-8472.

SFP-10G-ER-CWXX transceivers provide a unique enhanced digital diagnostic monitoring interface, which allows real-time access to device operating parameters such as transceiver temperature, laser bias current, transmitted optical power, received optical power and transceiver supply voltage. It also defines a sophisticated system of alarm and warning flags, which alerts end-users when particular operating parameters are outside of a factory set normal range.

The SFP+ MSA defines a 256-byte memory map in EEPROM that is accessible over a 2-wire serial interface at the 8 bit address 1010000X (A0h). The digital diagnostic monitoring interface makes use of the 8 bit address 1010001X (A2h), so the originally defined serial ID memory map remains unchanged.

4. Pin Assignment and Pin Description

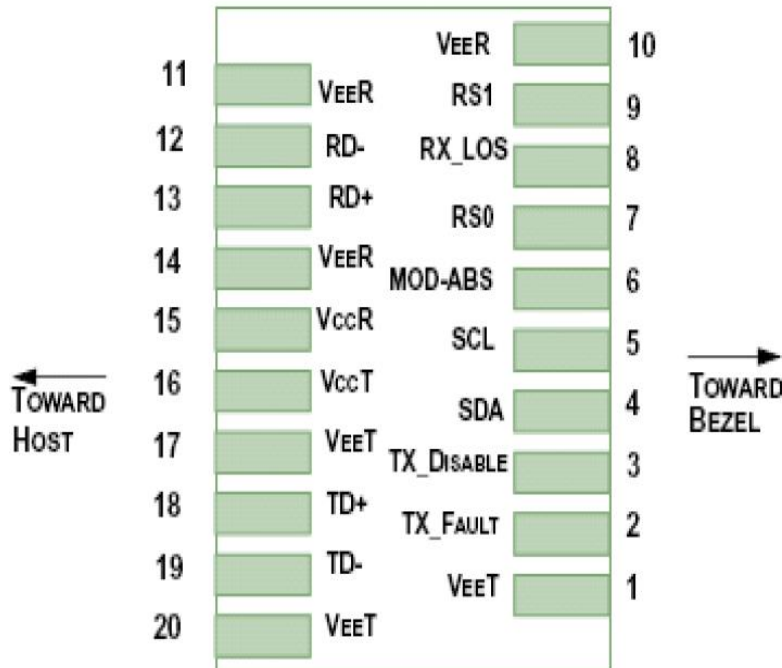


Figure1. Diagram of host board connector block pin numbers and names

Pin	Symbol	Name/Description	Notes
1	V_{EET}	Transmitter Ground (Common with Receiver Ground)	1
2	T_{FAULT}	Transmitter Fault.	2
3	T_{DIS}	Transmitter Disable. Laser output disabled on high or open.	3
4	SDA	2-wire Serial Interface Data Line	4
5	SCL	2-wire Serial Interface Clock Line	4
6	MOD_ABS	Module Absent. Grounded within the module	4
7	RS0	Rate Select 0	5
8	LOS	Loss of Signal indication. Logic 0 indicates normal operation.	6
9	RS1	No connection required	
10	V_{EER}	Receiver Ground (Common with Transmitter Ground)	1
11	V_{EER}	Receiver Ground (Common with Transmitter Ground)	1
12	RD-	Receiver Inverted DATA out. AC Coupled	
13	RD+	Receiver Non-inverted DATA out. AC Coupled	
14	V_{EER}	Receiver Ground (Common with Transmitter Ground)	1
15	V_{CCR}	Receiver Power Supply	
16	V_{CCT}	Transmitter Power Supply	
17	V_{EET}	Transmitter Ground (Common with Receiver Ground)	1
18	TD+	Transmitter Non-Inverted DATA in. AC Coupled.	
19	TD-	Transmitter Inverted DATA in. AC Coupled.	
20	V_{EET}	Transmitter Ground (Common with Receiver Ground)	1

Notes:

1. Circuit ground is internally isolated from chassis ground.
2. TFAULT is an open collector/drain output, which should be pulled up with a 4.7k Ω – 10 k Ω resistor on the host board if intended for use. Pull up voltage should be between 2.0V to $V_{CC} + 0.3V$. A high output indicates a transmitter fault caused by either the TX bias current or the TX output power exceeding the preset alarm thresholds. A low output indicates normal operation. In the low state, the output is pulled to <0.8V.
3. Laser output disabled on TDIS >2.0V or open, enabled on TDIS <0.8V.
4. Should be pulled up with 4.7k Ω - 10k Ω on host board to a voltage between 2.0V and 3.6V. MOD_ABS pulls line low to indicate module is plugged in.
5. Internally pulled down per SFF-8431 Rev 4.1.

6. LOS is open collector output. It should be pulled up with 4.7kΩ – 10kΩ on host board to a voltage between 2.0V and 3.6V. Logic 0 indicates normal operation; logic 1 indicates loss of signal.

5. Electrical Characteristics

The following electrical characteristics are defined over the Recommended Operating Environment unless otherwise specified.

Parameter	Symbol	Min.	Typ.	Max	Unit	Notes
Power Consumption	p			1.8	W	
Supply Current	I _{cc}			520	mA	
Transmitter						
Single-ended Input Voltage Tolerance	V _{cc}	-0.3		4.0	V	
AC Common Mode Input Voltage Tolerance (RMS)		15			mV	
Differential Input Voltage Swing	V _{in,pp}	180		1200	mV _{pp}	
Differential Input Impedance	Z _{in}	90	100	110	Ohm	1
Transmit Disable Assert Time				10	us	
Transmit Disable Voltage	V _{dis}	V _{cc} -1.3		V _{cc}	V	
Transmit Enable Voltage	V _{en}	V _{ee}		V _{ee} +0.8	V	2
Receiver						
Differential Output Voltage Swing	V _{out,pp}	300		850	mV _{pp}	
Differential Output Impedance	Z _{out}	90	100	110	Ohm	3
Data output rise/fall time	T _r /T _f	28			ps	4
LOS Assert Voltage	V _{losH}	V _{cc} -1.3		V _{cc}	V	5
LOS De-assert Voltage	V _{losL}	V _{ee}		V _{ee} +0.8	V	5
Power Supply Rejection	PSR	100			mV _{pp}	6

Notes:

1. Connected directly to TX data input pins. AC coupled thereafter.
2. Or open circuit.
3. Input 100 ohms differential termination.
4. These are unfiltered 20-80% values.

5. Loss of Signal is LVTTTL. Logic 0 indicates normal operation; logic 1 indicates no signal detected.

6. Receiver sensitivity is compliant with power supply sinusoidal modulation of 20 Hz to 1.5 MHz up to specified value applied through the recommended power supply filtering network.

6. Optical Characteristics

The following optical characteristics are defined over the Recommended Operating Environment unless otherwise specified.

Parameter	Symbol	Min.	Typical	Max	Unit	Notes
Transmitter						
Center Wavelength	λ	$\lambda - 6.5$		$\lambda + 6.5$	nm	1
Optical Spectral Width	$\Delta\lambda$			1	nm	
Side Mode Suppression Ratio	SMSR	30			dB	
Average Optical Power	P_{AVG}	-1		3	dBm	2
Optical Extinction Ratio	ER	6			dB	
Transmitter and Dispersion Penalty	TDP			3.0	dB	
Transmitter OFF Output Power	POff			-30	dBm	
Transmitter Eye Mask	Compliant with IEEE802.3ae					
Receiver						
Center Wavelength	λ	1270		1610	nm	
Receiver Sensitivity (Average Power)	Sen.			-16	dBm	3
Input Saturation Power (overload)	Psat	0.5			dBm	
LOS Assert	LOSA	-30			dBm	
LOS De-assert	LOSD			-19	dBm	
LOS Hysteresis	LOSH	0.5			dB	

Notes:

1. λ refer to wavelength selection, 1470~1610nm please the "product selection.
2. Class 1 Laser Safety per FDA/CDRH and IEC-825-1 regulations.
3. Measured with Light source 1470~1610nm, ER=6.0dB; BER = $<10^{-12}$ @ 10.3125Gbps, PRBS=2³¹-1 NRZ.

7. Digital Diagnostic Functions

The following digital diagnostic characteristics are defined over the Recommended Operating Environment unless otherwise specified. It is compliant to SFF8472 Rev10.2 with internal calibration mode. For external calibration mode please contact our sales staff.

Parameter	Symbol	Min.	Max	Unit	Notes
Temperature monitor absolute error	DMI_Temp	-3	3	degC	Over operating temp
Supply voltage monitor absolute error	DMI_VCC	-0.15	0.15	V	Full operating range
RX power monitor absolute error	DMI_RX	-3	3	dB	
Bias current monitor	DMI_bias	-10%	10%	mA	
TX power monitor absolute error	DMI_TX	-3	3	dB	

8. Mechanical Dimensions

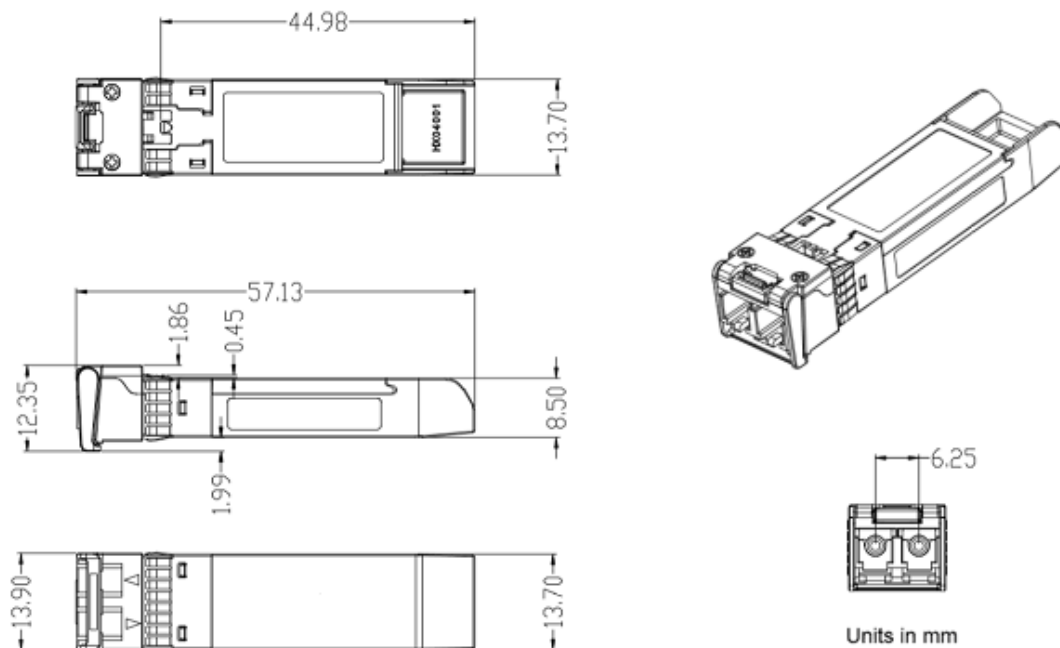


Figure2. Mechanical Outline